

# ECE 312

# Electronic Circuits (A)

Lec. 4: BJT Practical Applications

Instructor

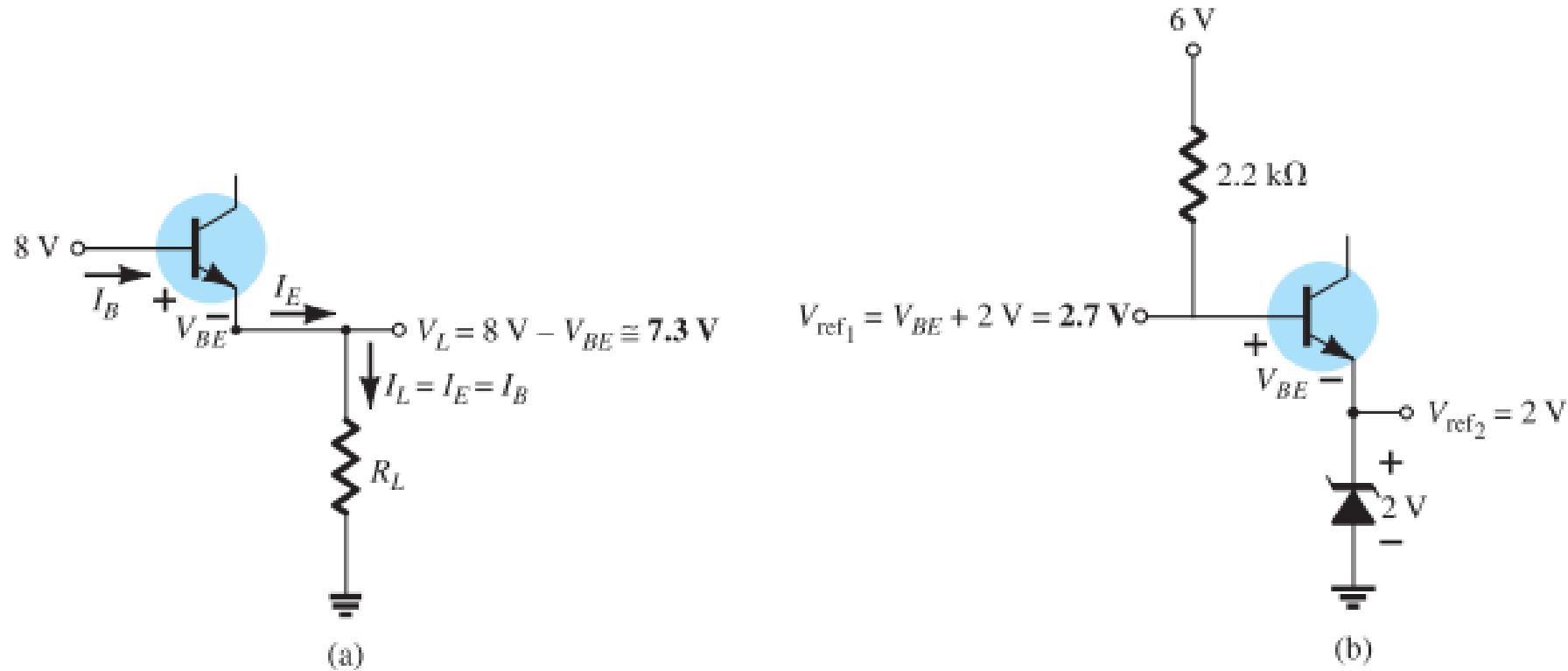
**Dr. Maher Abdelrasoul**

# Outline

- BJT Diode Usage and Protective Capabilities
- Relay Driver
- Light Control
- Maintaining a Fixed Load Current
- Alarm System with a CCS
- Voltage Level Indicator
- Logic Gates

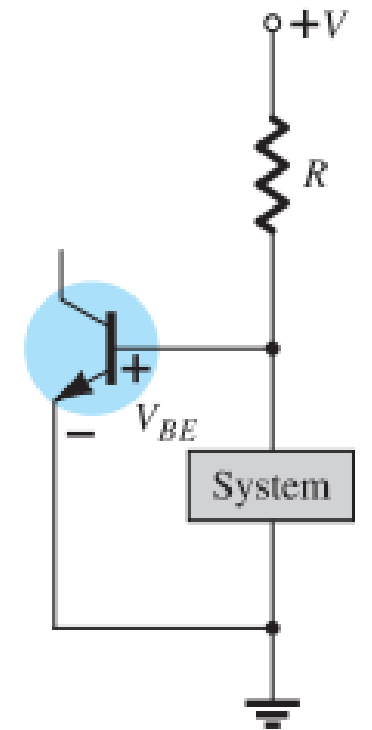
# Practical Application

## BJT Diode Usage and Protective Capabilities



**FIG. 4.102**

*BJT applications as a diode: (a) simple series diode circuit; (b) setting a reference level.*

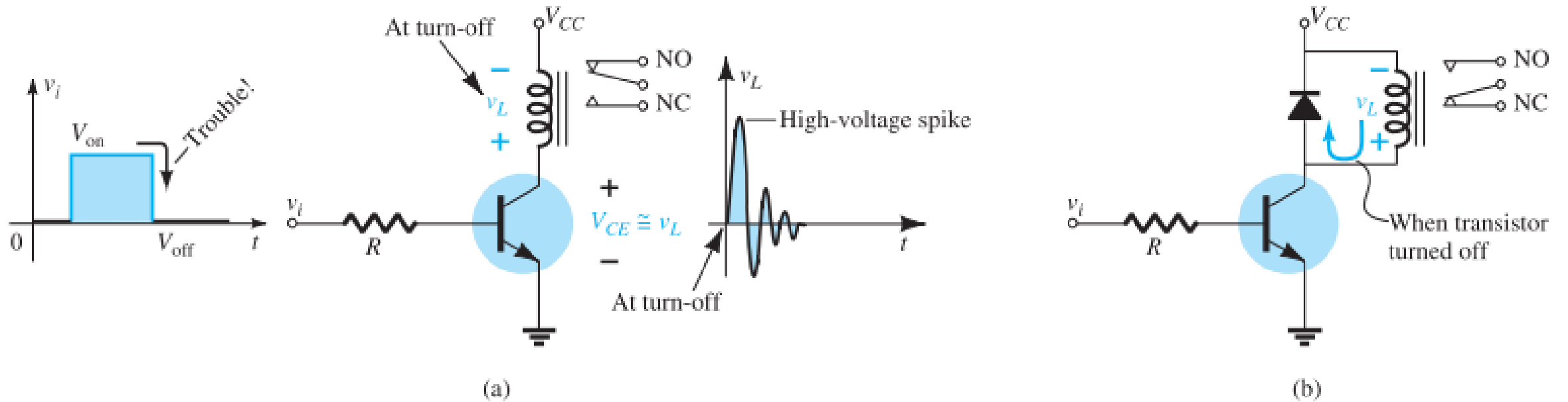


**FIG. 4.103**

*Acting as a protective device.*

# Practical Application

## Relay Driver

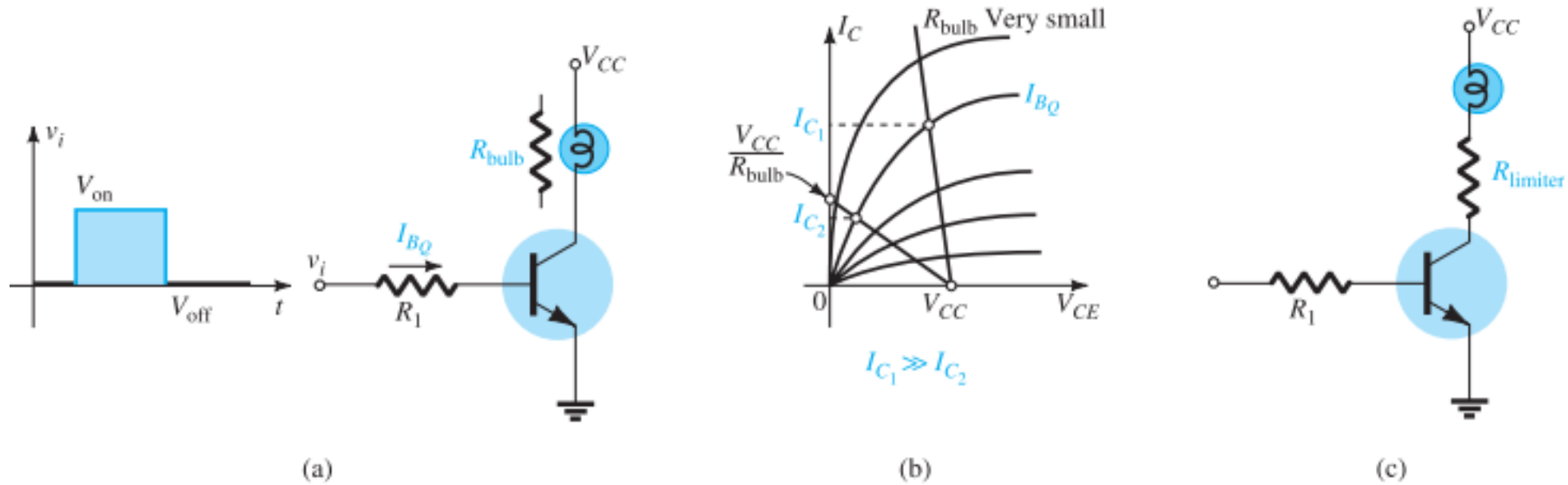


**FIG. 4.104**

*Relay driver: (a) absence of protective device; (b) with a diode across the relay coil.*

# Practical Application

## Light Control

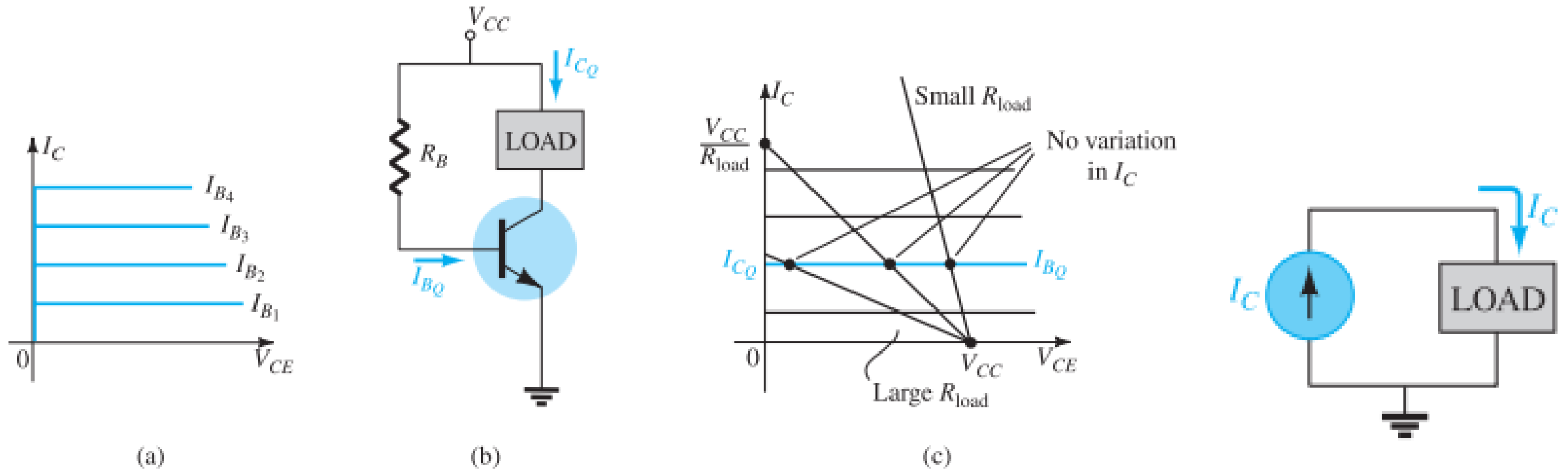


**FIG. 4.105**

Using the transistor as a switch to control the on-off states of a bulb: (a) network; (b) effect of low bulb resistance on collector current; (c) limiting resistor.

# Practical Application

## Maintaining a Fixed Load Current

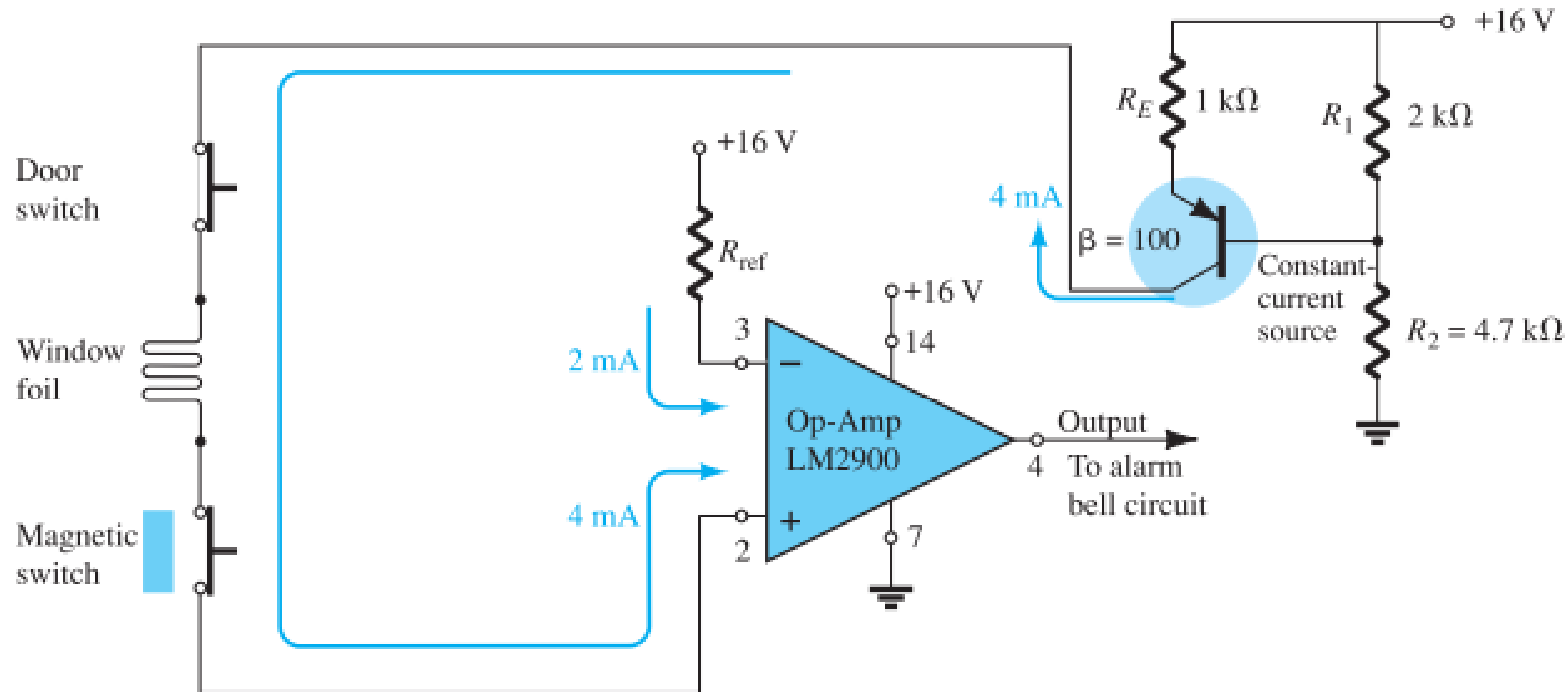


**FIG. 4.106**

*Building a constant-current source assuming ideal BJT characteristics: (a) ideal characteristics; (b) network; (c) demonstrating why  $I_C$  remains constant.*

# Practical Application

## Alarm System with a CCS

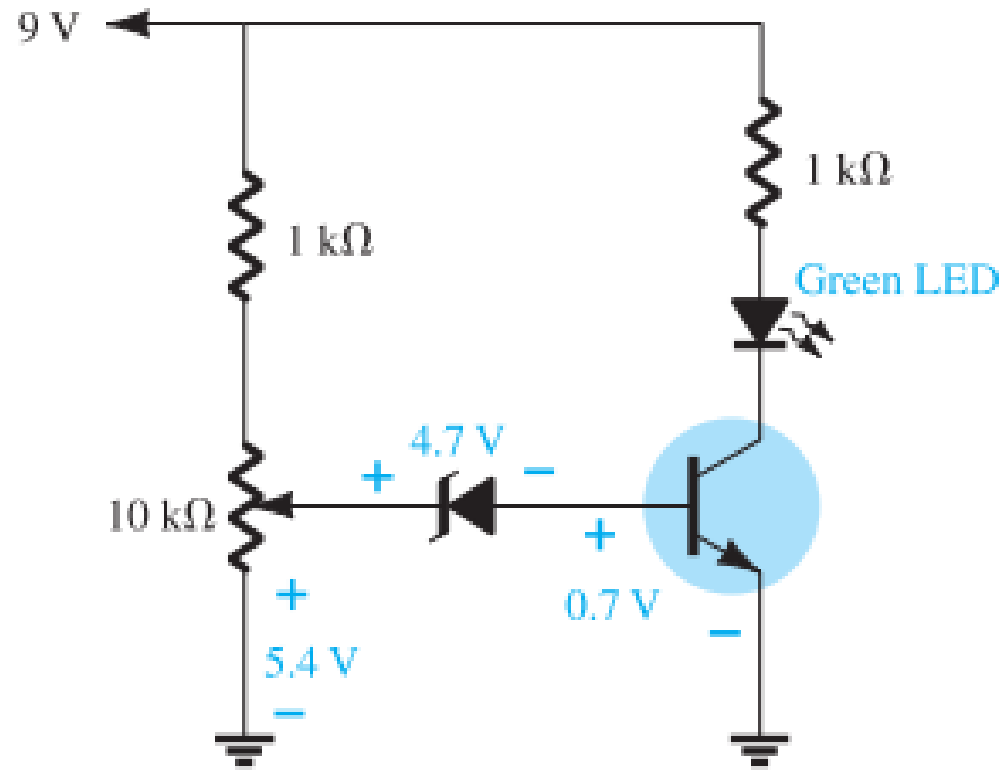


**FIG. 4.108**

*An alarm system with a constant-current source and an op-amp comparator.*

# Practical Application

## Voltage Level Indicator



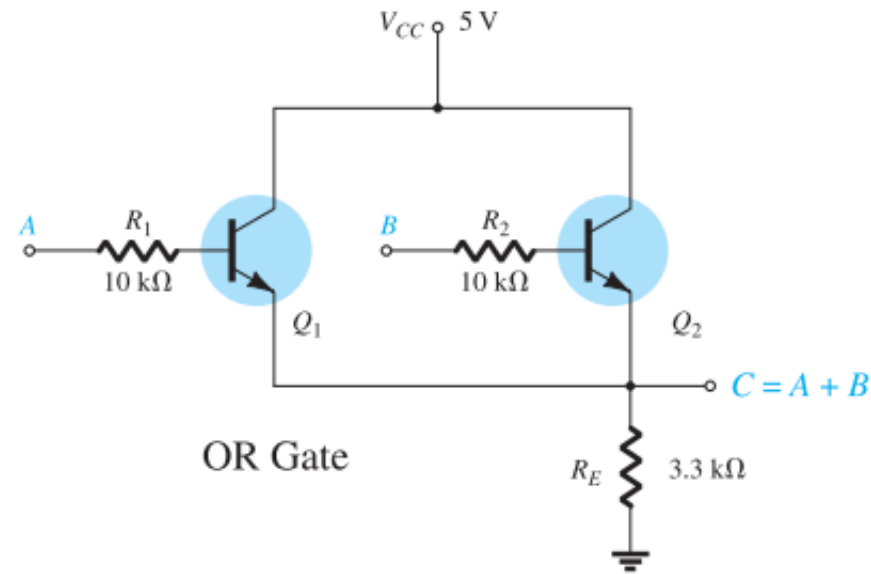
**FIG. 4.112**

*Voltage level indicator.*



# Practical Application

## Logic Gates

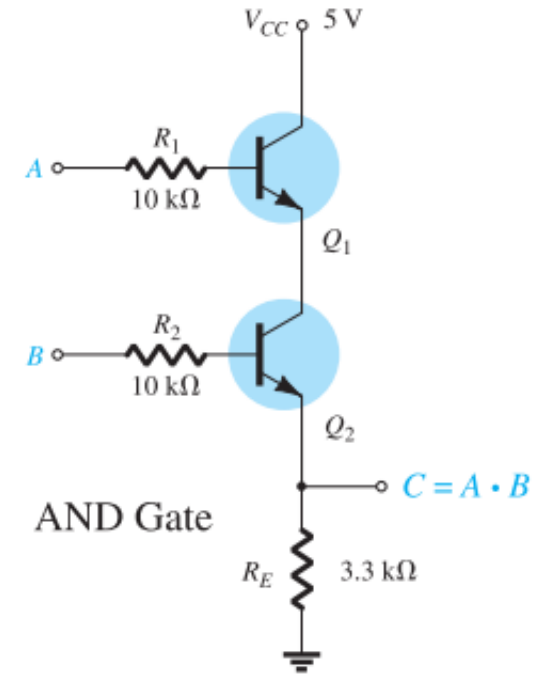


OR Gate

A	B	C
0	0	0
0	1	1
1	0	1
1	1	1

1 = high  
0 = low

(a)



AND Gate

A	B	C
0	0	0
0	1	0
1	0	0
1	1	1

(b)

**FIG. 4.111**

BJT logic gates: (a) OR; (b) AND.

Thank You!

